


Hi-Arc® Dual Handle Bar Faucet Model LKA-2447 and LK-2447-BH

ELKAY®

SPECIFICATIONS

GENERAL


LKA-2447 Dual handle, top mount mixing faucet with stainless steel escutcheon. Clear Crystalac handles. Tubular hi-arc swing spout with restricted flow aerator. Overall height 10-1/2". Removable Diacore cartridges. A 150° turn of handle controls water flow from drip-free **off** to full **on**. All operating parts are replaceable from above deck. Requires 2 faucet holes on 4" centers. Ship. Wt. 2-1/4 lbs.

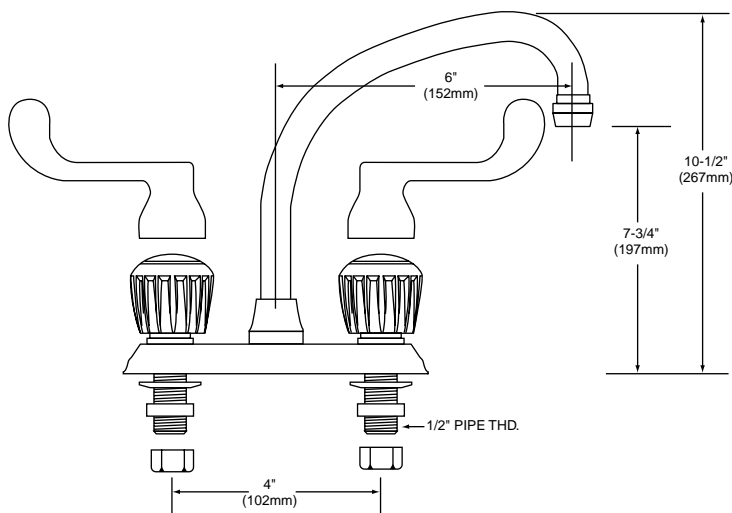
LK-2447-BH Same as LKA-2447 except with 4" blade handles.  This faucet is ADA compliant. Ship. Wt. 3 lbs.

MAXIMUM FLOW RATE

2.5 GPM/9.5 L/min AT 80 P.S.I.G.

2.2 GPM/8.3 L/min AT 60 P.S.I.G.

 These faucets are classified by Underwriters Laboratory, Inc. to ANSI/NSF 61, Section 9 for residential use.



Model LKA-2447

CARTRIDGE

Maintenance-free, drip-free washerless cartridge that is completely self-contained and easily removable.

A simple cam-activated movement of the diaphragm controls the flow of water with a feather-lite touch. Full **off** to full **on** with a 150° turn. No springs. No wearing action and no moving parts exposed to water.

ELKAY FAUCET/WATER DISPENSERS LIMITED WARRANTY

Elkay warrants its faucet and water dispensers to be free of defects in workmanship and material for a period of one year from the date of purchase. Replacement parts are available from Elkay for a nominal charge. Upon return of a defective part to Elkay during the warranty period with written notice of the claimed defect, Elkay will refund the replacement charge.

WASTE FITTINGS AND ACCESSORIES ARE NOT WARRANTED; OTHER WARRANTY CONDITIONS:

Our warranty does not cover product failure caused by abusive treatment, misuse, or damage due to handling or faulty installations. This warranty is extended only to the original consumer purchaser of the product. This warranty does not cover shipping costs, labor costs, or any other charges for such items as installation or replacement of the sink, diagnosis or replacement of any faucet or component part, or any other expense or loss.

ALL INCIDENTAL OR CONSEQUENTIAL DAMAGES ARE SPECIFICALLY EXCLUDED. NO ADDITIONAL WARRANTIES, EXPRESS OR IMPLIED, ARE GIVEN. ANY IMPLIED WARRANTY, INCLUDING ONE OF MERCHANTABILITY OR FITNESS FOR A PARTICULAR PURPOSE, IS LIMITED TO THE DURATION OF THIS WRITTEN WARRANTY.

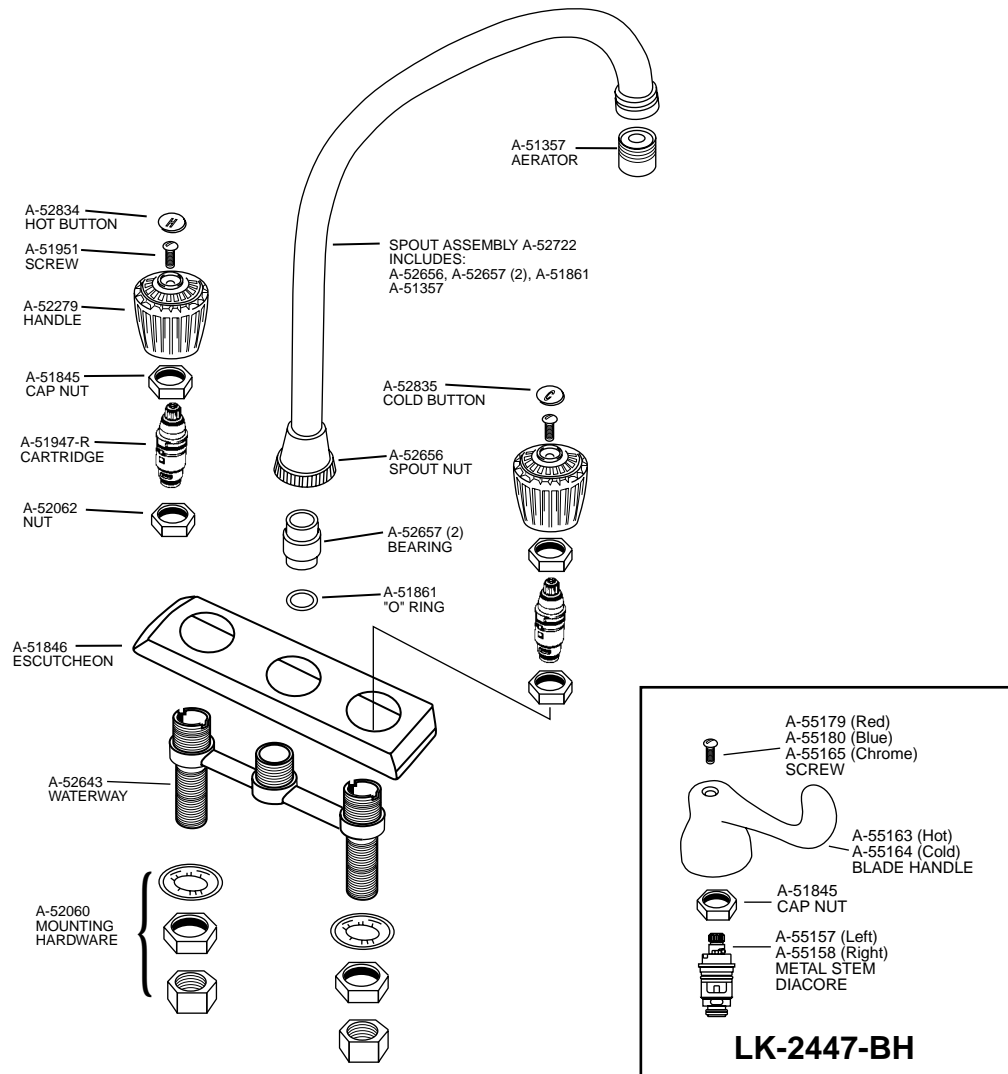
Some states do not allow the exclusion or limitation of incidental or consequential damages or limitations on how long an implied warranty lasts, so the above limitations or exclusions may not apply to you.

This warranty gives you specific legal rights, and you may also have other rights which vary from state to state.

TO OBTAIN SERVICE UNDER WARRANTY

1. Write to: Elkay Manufacturing Company
Attention: Consumer Service
2222 Camden Court
Oak Brook, Illinois 60523
2. Include a letter containing the following information:
 - a. Date of purchase and installation
 - b. Description of nature of defect
 - c. Model number or description of model and/or component part if possible.

PARTS LIST



PARTS FOR LKA-2447 / LK-2447-BH

PART NUMBER	PART DESCRIPTION	PART NUMBER	PART DESCRIPTION
A-51357	AERATOR	A-52657	BEARING
A-51845	CAP NUT	A-52834	HOT BUTTON
A-51846	ESCUTCHEON	A-52835	COLD BUTTON
A-51861	"O" RING	A-52722	SPOUT ASSEMBLY
A-51947-R	CARTRIDGE	A-55157	METAL STEM DIACORE (LEFT)
A-51951	SCREW	A-55158	METAL STEM DIACORE (RIGHT)
A-52060	MOUNTING HARDWARE	A-55163	BLADE HANDLE (HOT)
A-52062	NUT	A-55164	BLADE HANDLE (COLD)
A-52279	HANDLE	A-55179	SCREW (RED)
A-52643	WATERWAY	A-55180	SCREW (BLUE)
A-52656	SPOUT NUT	A-55165	SCREW (CHROME)

Note: Blade handles can only be used with cartridge numbers A-55157 and A-55158.